

## MECHANICAL SEAL SELECTION FORM

### Customer Data

Date	
Company Name	
Person Name	
Person Position	
Person Tel. No or/and E-Mail Address	

### Equipment Data

Plant Site/Unit	
Equip. Position No	
Equipment Description	
Equipment Manufacturer	
Equipment Model No	
Is pump split? (Solid / Horiz. / Vertical)	
Pump number of stages (>1 if multistage)	
Pump type: (Overhang / Double End / Vertical)	
Wet End Metal Grade, Casing and Shaft / Sleeve	
Is Cooling Jacket present (Yes / No)	
Direction of Shaft Rotation (CW / CCW)	
Type and Model of Current Seal	
Current Seal Mean Time Between Repair	
Reason of Change of Seal	

### Operation conditions

Process Fluid	
Temperature (°F or °C)	
Concentration	
Pressure (PSI or Bar):	
Seal Chamber Pressure	
Pump Suction Pressure	
Pump Discharge Pressure	
Speed (RPM)	
Is Pump Cleaned with Fluid or Steam? With What?	
Do o-rings get damaged in some way due to temperature or chemical attack?	

### Fluid Characteristics

PH Value	
Specific Gravity	
Vapor Pressure	
Viscosity	
Are Solids Present? (Yes / No)	
Is Fluid Coking? (Yes / No)	
Does Fluid Crystallize? (Yes / No)	
Does Fluid Set Up / Harden? (Yes / No)	
Is Fluid Dangerous? (Yes / No)	
Is Fluid Toxic? (Yes / No)	
Is Fluid Corrosive? (Yes / No)	
Comments:	

### Current Environmental Controls

API Plan (list all)	
Cooled Recirculation Temperature (if present)	
Barrier Fluid	
Flush Fluid	
Flush Fluid Temperature (°F or °C)	

### Equipment Dimensions

(01) Shaft O.D. (size and tolerance)	
(02) Seal Chamber Bore (size and tolerance)	
(03) Seal Chamber Depth (if stepped provide drawing)	
(04) Register O.D. (size and tolerance)	
(05) Register Length	
(06) Register I.D. (size and tolerance)	
(07) Sleeve O.D. (size and tolerance)	
(08) Distance to Shaft Step	
(09) Distance to End of Sleeve	
(10) Distance to First Obstruction	
(11) Distance to Tap Hole	
(12) Number of Bolts	
(13) Bolt Size	
(14) Bolt Circle	
Show Bolt Location (Angle to Horizon, etc.) on Figure 2	
(15) Maximum Gland OD	

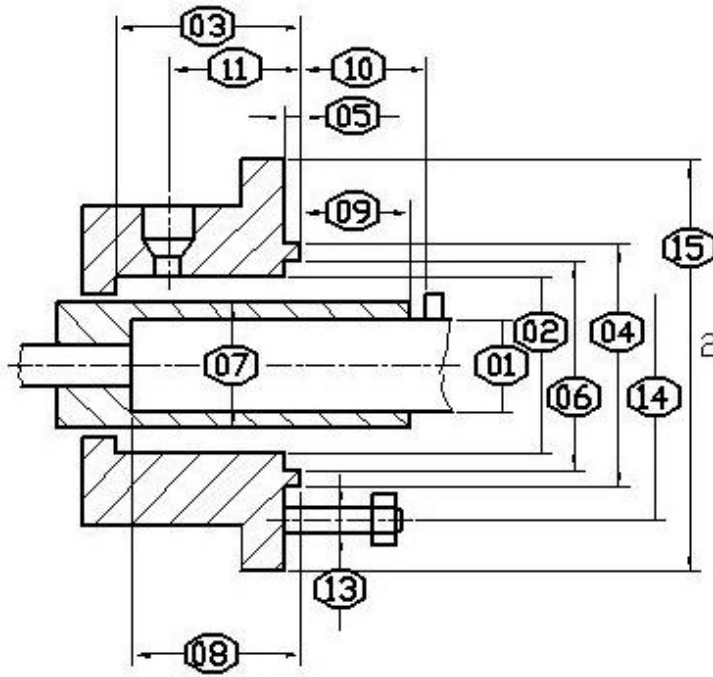


Figure 1. Equipment Dimensions

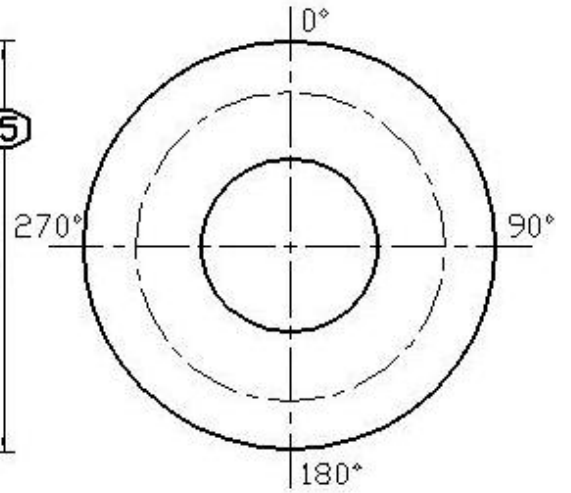


Figure 2. Angle Location of Bolts

**Environmental Controls Location**

Show Desired Angle Location of Environmental Controls on Figure 3	see Figure 3
Desired Distance from Seal Chamber Face:	
F = Flush	
BI = Barrier Fluid In	
BO = Barrier Fluid Out	
Q = Quench	
D = Drain	
V = Vent	

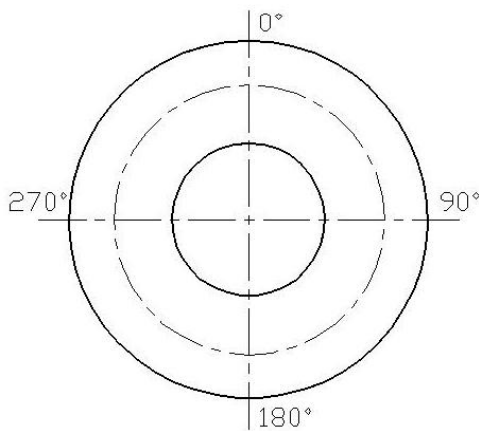


Figure 3. Angle Location of Environmental Controls

Note: If this form does not fully describe equipment design (in a rare case), provide drawing.